

4

3

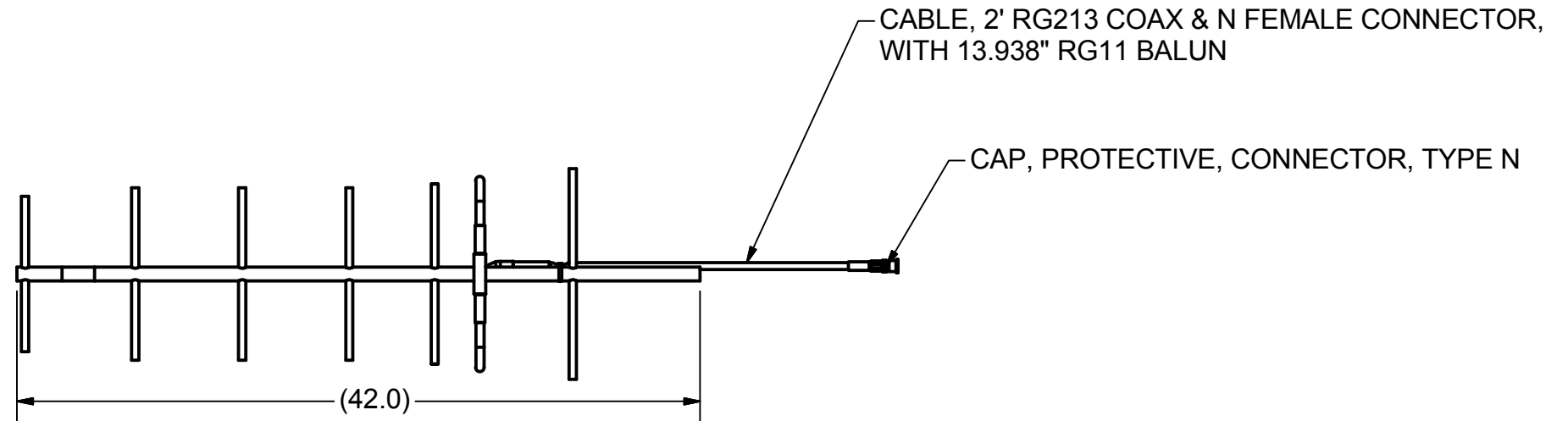
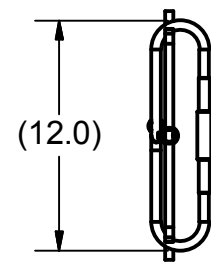
2

1

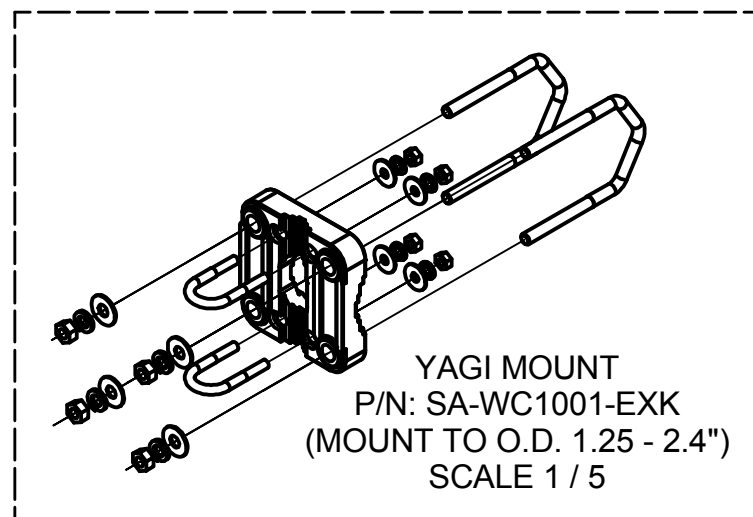
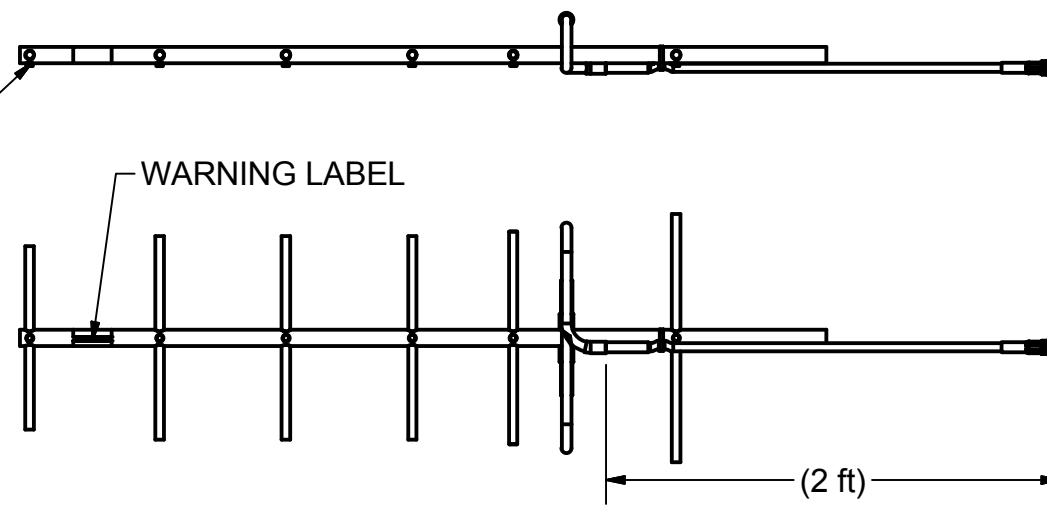
| REVISION HISTORY |                           |         |          |
|------------------|---------------------------|---------|----------|
| REV              | DESCRIPTION               | DATE    | APPROVED |
| H                | ASSEMBLY DRAWING RELEASED | 21FEB12 | JD       |
| I2               | UPDATED BOM               | 21APR16 | IP       |

NOTES: UNLESS OTHERWISE SPECIFIED

1. DIMENSIONS IN PARENTHESIS ARE FOR REFERENCE ONLY AND NO TOLERANCE IS IMPLIED.



GUARDIAN YAGI 450K POWDER COATED, BOLTED SKELETON



|  |   |   |   |   |
|--|---|---|---|---|
| SUPPLIER PRINT ACCEPTANCE:<br><input type="checkbox"/> Accept drawing/specification: No changes needed:<br><input type="checkbox"/> This part is RoHS compliant<br><input type="checkbox"/> This part is REACH compliant<br><input type="checkbox"/> Accept drawing/specification. Notes/Mark-ups added<br><input type="checkbox"/> Cannot accept drawing/spec. Notes/Mark-ups added<br>Supplier Projected Outgoing Quality:<br>SIGMA LEVEL : _____ or PPM: _____<br>Signature _____ Date: _____ | UNLESS OTHERWISE SPECIFIED DIMENSIONS ARE IN INCHES<br>FOR TOLERANCES NOT SPECIFIED USE:<br>X.X in ± .1 in, X.XX in ± .01 in, X.XXX in ± .005 in<br>ANGULAR ± 1°, FRACTIONAL ± 1/64 | DRAWN: IP<br>DATE: 2/21/2012<br>CHECKED: _____<br>DATE: _____ | <p>PCTEL, INC.<br/>471 BRIGHTON DRIVE<br/>BLOOMINGDALE, IL 60108<br/>PH. 630-372-6800<br/>FAX. 630-372-8077</p> |   |
|  | THIRD ANGLE PROJECTION<br>  | MATERIAL: SEE COMP. PRINTS<br>FINISH: SEE COMP. PRINTS        |   | DESCRIPTION: 450-470 MHz 10 dBd 7 ELEMENT YAGI, N FEMALE, 2' JUMPER |
| PCTEL PROPRIETARY DATA<br>THE INFORMATION AND/OR DRAWINGS CONTAINED IN THIS DOCUMENT IS CONFIDENTIAL AND PROPRIETARY TO PCTEL, INC. AND MAY NOT BE USED, REPRODUCED, IN WHOLE OR IN PART, OR MODIFIED IN ANY WAY WITHOUT THE EXPRESS WRITTEN PERMISSION OF AN AUTHORIZED REPRESENTATIVE OF PCTEL, INC.   |   |   | DRAWING NO.: BGYD450K   |   |
|  |   | SIZE: A3  | SCALE: 1/10   | SHEET: 1 OF 2   |

4

3

2

1

4

3

2

1

NOTES: UNLESS OTHERWISE SPECIFIED

1. A (REF) DIMENSION IS FOR INFORMATION PURPOSES ONLY AND NO TOLERANCE IS IMPLIED.

2. ELECTRICAL SPECIFICATIONS:

FREQUENCY RANGE: 806-896 MHz

GAIN: 10 dBd

REVISION HISTORY

| REV | DESCRIPTION                 | DATE      | APPROVED |
|-----|-----------------------------|-----------|----------|
| F   | OUTLINE DIMENSIONAL DRAWING | 8/14/2017 | CV       |

(61.7)

(151.5)

(164.7)

(609.6)

2' RG213 COAX WITH N FEMALE CONNECTOR

SUPPLIER PRINT ACCEPTANCE:

 Accept drawing/specification:  
No changes needed:  
 This part is RoHS compliant  
 This part is REACH compliant  
 Accept drawing/specification.  
Notes/Mark-ups added  
 Cannot accept drawing/spec.  
Notes/Mark-ups added  
 Supplier Projected Outgoing Quality:

SIGMA LEVEL : \_\_\_\_\_ or PPM: \_\_\_\_\_

Signature \_\_\_\_\_ Date: \_\_\_\_\_

UNLESS OTHERWISE SPECIFIED  
DIMENSIONS ARE IN MILLIMETERSFOR TOLERANCES NOT SPECIFIED USE:  
[X mm ± 3 mm] [X.X mm ± .3 mm]  
[X.XX mm ± .13 mm] ANGULAR ± 1°

THIRD ANGLE PROJECTION

PCTEL PROPRIETARY DATA

THE INFORMATION AND/OR DRAWINGS CONTAINED IN THIS DOCUMENT IS CONFIDENTIAL AND PROPRIETARY TO PCTEL, INC. AND MAY NOT BE USED, REPRODUCED, IN WHOLE OR IN PART, OR MODIFIED IN ANY WAY WITHOUT THE EXPRESS WRITTEN PERMISSION OF AN AUTHORIZED REPRESENTATIVE OF PCTEL, INC.

DRAWN DATE

CV 8/14/2017

CHECKED DATE

MATERIAL:

FINISH:

PCTEL, INC.  
471 BRIGHTON DRIVE  
BLOOMINGDALE, IL 60108  
PH. 630-372-6800  
FAX. 630-372-8077

DESCRIPTION 806-896 MHz, 10 dBd 7 ELEMENT YAGI, N FEMALE 2' JUMPER

DRAWING NO. ODD\_BGYD806K

SIZE B SCALE 1/4 SHEET 1 OF 1

4

3

2

1